

Nominal Output RPM*	NEMA Frame	Worm Center Distance	Overhung Load	Nominal Ratio	Max. Input HP	Max. Output Torque	Mfr. Model†	Item No.
17	56C	2.38 in	1,025 lb	100:1	0.25 hp	533 in-lb	E24MWNS	4GAN8
	56C	2.63 in	1,025 lb	100:1	0.3 hp	744 in-lb	E26MWNS	4GAN9
	56C	3.5 in	2,130 lb	100:1	0.5 hp	1,243 in-lb	E35MWNS	4GAP1
22	56C	2.38 in	1,025 lb	80:1	0.3 hp	638 in-lb	E24MWNS	4GAP2
	56C	2.63 in	1,025 lb	80:1	0.5 hp	979 in-lb	E26MWNS	4GAP3
	56C	3.5 in	2,130 lb	80:1	1 hp	1,446 in-lb	E35MWNS	4GAP4
29	96C	1.33 in	290 lb	60:1	0.16 hp	181.0 in-lb	E13MWNS	4GAP5
	56C	1.75 in	650 lb	60:1	0.25 hp	386.0 in-lb	E17MWNS	4GAP6
	56C	2.0 in	650 lb	60:1	0.3 hp	528 in-lb	E20MWNS	4GAP7
	56C	2.38 in	1,025 lb	60:1	0.5 hp	810 in-lb	E24MWNS	4GAP8
	56C/140TC	2.63 in	1,025 lb	60:1	0.75 hp	1,268 in-lb	E26MWNS	4GAP9
	56C/140TC	3.0 in	1,350 lb	60:1	1 hp	1,766 in-lb	E30MWNS	4GAR1
35	140TC	3.5 in	2,130 lb	60:1	2 hp	3,573 in-lb	E35MWNS	4GAR2
	56C	1.33 in	290 lb	50:1	0.16 hp	209.0 in-lb	E13MWNS	4GAR3
	56C	1.75 in	650 lb	50:1	0.3 hp	449 in-lb	E17MWNS	4GAR4
	56C	2.0 in	650 lb	50:1	0.5 hp	706 in-lb	E20MWNS	4GAR5
	56C	2.38 in	1,025 lb	50:1	0.75 hp	1,083 in-lb	E24MWNS	4GAR6
	56C/140TC	2.63 in	1,025 lb	50:1	1 hp	1,481 in-lb	E26MWNS	4GAR7
43	56C/140TC	3.0 in	1,350 lb	50:1	1.5 hp	2,305 in-lb	E30MWNS	4GAR8
	140TC	3.5 in	2,130 lb	50:1	2 hp	3,076 in-lb	E35MWNS	4GAR9
	56C	1.33 in	290 lb	40:1	0.25 hp	256.0 in-lb	E13MWNS	4GAT1
	56C	1.75 in	650 lb	40:1	0.5 hp	585 in-lb	E20MWNS	4GAT2
	56C	2.38 in	1,025 lb	40:1	1 hp	1,203 in-lb	E24MWNS	4GAT3
	56C/140TC	2.63 in	1,025 lb	40:1	1 hp	1,223 in-lb	E26MWNS	4GAT5
58	56C/140TC	3.0 in	1,350 lb	40:1	2 hp	2,516 in-lb	E30MWNS	4GAT6
	56C/140TC	3.5 in	2,130 lb	40:1	3 hp	3,787 in-lb	E35MWNS	4GAT7
	56C	1.33 in	290 lb	30:1	0.3 hp	276.0 in-lb	E13MWNS	4GAT8
	56C	1.75 in	650 lb	30:1	0.5 hp	452 in-lb	E17MWNS	4GAT9
	56C	2.0 in	650 lb	30:1	0.75 hp	687 in-lb	E20MWNS	4GAU1
	56C	2.38 in	1,025 lb	30:1	1 hp	938 in-lb	E24MWNS	4GAU2
86	56C/140TC	2.63 in	1,025 lb	30:1	1.5 hp	1,427 in-lb	E26MWNS	4GAU3
	56C/140TC	3.0 in	1,350 lb	30:1	2 hp	1,937 in-lb	E30MWNS	4GAU4
	140TC	3.5 in	2,130 lb	30:1	3 hp	2,906 in-lb	E35MWNS	4GAU6
	180TC	3.0 in	1,350 lb	30:1	2 hp	1,937 in-lb	E30MWNS	4GAU5
	180TC	3.5 in	2,130 lb	30:1	3 hp	2,906 in-lb	E35MWNS	4GAU7
	56C	1.33 in	290 lb	20:1	0.3 hp	202.0 in-lb	E13MWNS	4GAU8
115	56C	1.75 in	650 lb	20:1	0.75 hp	482 in-lb	E17MWNS	4GAU9
	56C/140TC	2.0 in	650 lb	20:1	1 hp	650 in-lb	E20MWNS	4GAV1
	56C/140TC	2.38 in	1,025 lb	20:1	2 hp	1,311 in-lb	E24MWNS	4GAV2
	56C/140TC	2.63 in	1,025 lb	20:1	2 hp	1,322 in-lb	E26MWNS	4GAV3
	56C/140TC	3.0 in	1,350 lb	20:1	3 hp	2,009 in-lb	E30MWNS	4GAV4
	180TC	3.0 in	1,350 lb	20:1	3 hp	2,009 in-lb	E30MWNS	4GAV5
172	56C/140TC	3.5 in	2,130 lb	20:1	5 hp	3,334 in-lb	E35MWNS	4GAV6
	56C	1.33 in	290 lb	15:1	0.5 hp	238.0 in-lb	E13MWNS	4GAV7
	56C/140TC	1.75 in	650 lb	15:1	1 hp	494 in-lb	E17MWNS	4GAV8
	56C/140TC	2.0 in	650 lb	15:1	1.5 hp	749 in-lb	E20MWNS	4GAV9
	56C/140TC	2.38 in	1,025 lb	15:1	2 hp	1,003 in-lb	E24MWNS	4GAW1
	56C/140TC	2.63 in	1,025 lb	15:1	3 hp	1,512 in-lb	E26MWNS	4GAW2
345	56C/145TC	3.0 in	1,350 lb	15:1	5 hp	2,542 in-lb	E30MWNS	4GAW3
	180TC	3.0 in	1,350 lb	15:1	5 hp	2,542 in-lb	E30MWNS	4GAW4
	180TC	3.5 in	2,130 lb	15:1	5 hp	2,542 in-lb	E35MWNS	4GAW5
	56C	1.33 in	290 lb	10:1	0.75 hp	248.0 in-lb	E13MWNS	4GAW6
	56C/140TC	1.75 in	650 lb	10:1	1.5 hp	507 in-lb	E17MWNS	4GAW7
	56C/140TC	2.0 in	650 lb	10:1	2 hp	687 in-lb	E20MWNS	4GAW8
435	56C/140TC	2.38 in	895 lb	10:1	3 hp	1,021 in-lb	E24MWNS	4GAW9
	56C/140TC	2.63 in	895 lb	10:1	3 hp	1,027 in-lb	E26MWNS	4GAX1
	180TC	3.0 in	1,298 lb	10:1	5 hp	1,722 in-lb	E30MWNS	4GAX2
	56C	1.33 in	290 lb	5:1	1 hp	171.0 in-lb	E13MWNS	4GAX3
	56C/140TC	1.75 in	572 lb	5:1	2 hp	344.0 in-lb	E17MWNS	4GAX4
	56C/140TC	2.0 in	572 lb	5:1	3 hp	518 in-lb	E20MWNS	4GAX5
345	56C/140TC	2.38 in	748 lb	5:1	5 hp	863 in-lb	E24MWNS	4GAX6
	180TC	2.63 in	748 lb	5:1	7.5 hp	1,299 in-lb	E26MWNS	4GAX7



C-Face Right-Angle Speed Reducers and Bases

- Interchangeable with Winsmith MDNS models
- Double-shaft assembly
- Filled with Mobil Glygoyle 460 synthetic lubricant

Black coating system is scratch resistant and suitable for washdown and outdoor applications. Exceeds ASTM B-117, 1000-hr. salt spray test. Shaft splingers prevent contaminants from contacting oil seals. Open/close vent. Can be mounted with or without optional base using predrilled and tapped holes. Lubricant meets NSF requirements and is acceptable for incidental food contact (H1) areas.

Worm Center Distance	Bolt Hole Dia.	Base Mounting Hole Length	Width	Base Thickness	Mfr. Model	Item No.
Top Bases						
1.33 in	0.41 in	4.0 in	2.5 in	0.25 in	E13WB	1L382
1.75 in	0.41 in	4.0 in	3.5 in	0.5 in	E17WB	1L402
2 in	0.41 in	4.0 in	3.5 in	0.25 in	E20WB	1L383
2.38 in	0.56 in	5.75 in	4.5 in	0.75 in	E24WB	1L399
2.63 in	0.56 in	5.75 in	4.5 in	0.375 in	E26WB	1L397
3.5 in	0.56 in	5.25 in	8.25 in	0.5 in	E35WB	1L396
Top and Bottom Base						
3 in	0.56 in	6.5 in	5.25 in	0.5 in	E30WT	1L381
Bottom Bases						
1.33 in	0.41 in	4.0 in	2.5 in	0.375 in	E13WT	1L379
1.75 in	0.41 in	3.81 in	3.5 in	0.5 in	E17WT	1L401
2 in	0.41 in	3.81 in	3.5 in	0.5 in	E20WT	1L380
2.38 in	0.56 in	5.75 in	4.5 in	0.625 in	E24WT	1L400
2.63 in	0.56 in	5.75 in	4.5 in	0.375 in	E26WT	1L398
3.5 in	0.56 in	5.25 in	8.25 in	0.5 in	E35WT	1L395

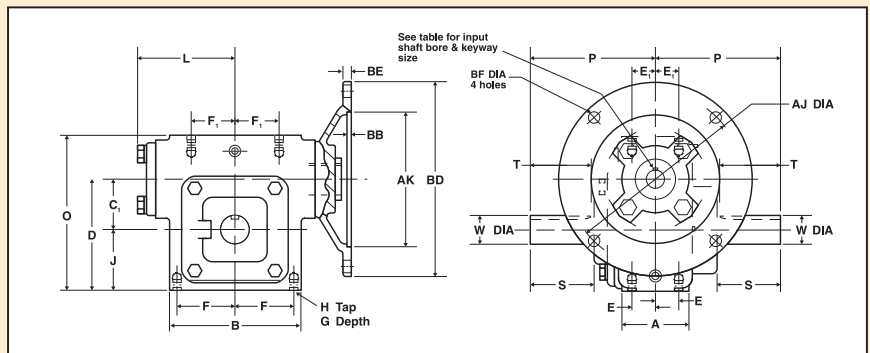
* @ 1725 rpm. † To complete Mfr. Model No., add Nominal Ratio and NEMA Frame information.

Winsmith C-Face Right-Angle Speed Reducer Dimensional Drawings



Key	56C	140TC	180TC
AJ	5.88"	5.88"	7.25"
AK	4.50"	4.50"	8.50"
BB	0.19"	0.19"	0.19"
BD	6.50"	6.50"	9.00"
BE	0.31"	0.31"	0.38"
BF	0.406"	0.406"	0.531"
Keyway	3/16 x 3/32"	3/16 x 3/32"	1/4 x 1/8"
Bore	0.6255"	0.8755"	1.1255"

* Bore tolerances +0.001, -0.000.



Reducer Model	Worm Center Dist.	Dimensions										Output Shaft							
		A	B	C1	D	E	E1	F	F1	G Depth	H Tap	J	L	O	P	Wt	S	T	Keyway
E13MWNS	1.33"	2.00"	3.88"	1.333"	3.08"	0.69"	0.69"	1.56"	1.19"	0.56"	1/16-18"	1.75"	2.83"	4.33"	4.00"	0.750"	2.06"	1.88"	0.19 x 0.09"
E17MWNS	1.75"	2.38"	4.63"	1.750"	3.88"	0.88"	0.88"	1.94"	1.69"	0.56"	1/16-16"	2.13"	3.44"	5.38"	4.75"	1.000"	2.56"	2.31"	0.25 x 0.13"
E20MWNS	2.00"	2.38"	5.25"	2.000"	4.13"	0.88"	0.88"	2.19"	1.69"	0.56"	1/16-16"	2.13"	3.44"	5.63"	4.75"	1.000"	2.56"	2.31"	0.25 x 0.13"
E24MWNS	2.37"	3.13"	5.38"	2.375"	5.25"	1.13"	1.13"	2.19"	2.19"	0.63"	1/2-13"	2.88"	4.50"	7.25"	5.50"	1.250"	2.81"	2.63"	0.25 x 0.13"
E26MWNS	2.63"	3.13"	5.88"	2.625"	5.75"	1.13"	1.13"	2.44"	2.44"	0.63"	1/2-13"	3.13"	4.50"	7.38"	5.50"	1.250"	2.81"	2.63"	0.25 x 0.13"
E30MWNS	3.00"	3.50"	6.62"	3.000"	6.50"	1.31"	1.31"	2.75"	2.75"	0.75"	1/2-13"	3.50"	4.63"	9.00"	5.88"	1.375"	2.88"	2.75"	0.31 x 0.16"
E35MWNS	3.50"	3.75"	6.69"	3.500"	7.50"	1.31"	1.31"	3.25"	3.25"	1.00"	3/8-11"	4.00"	5.46"	10.13"	7.00"	1.750"	3.75"	3.63"	0.38 x 0.19"

† Shaft dia. tolerances +0.000, -0.001.