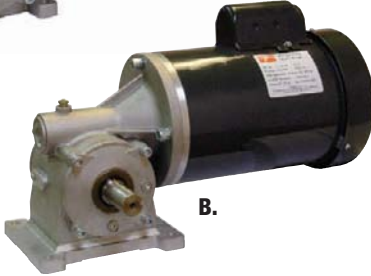


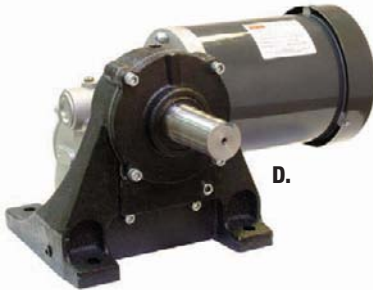
**A.**



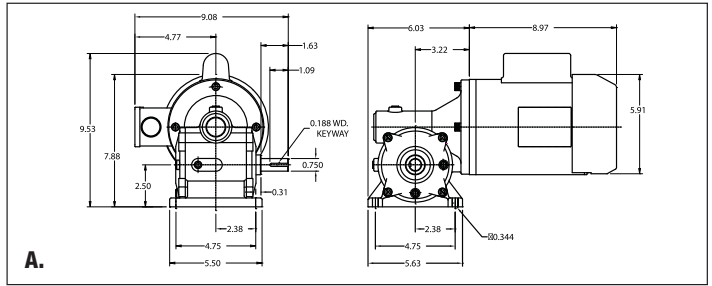
**B.**



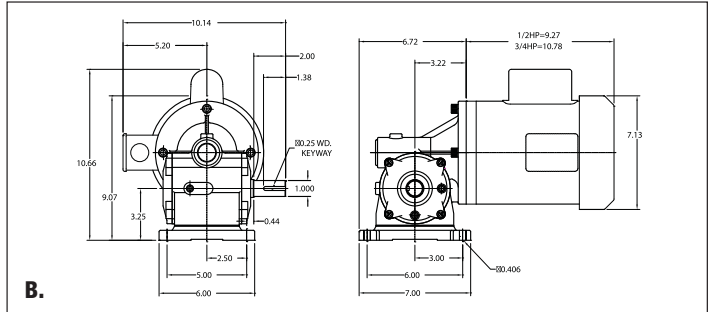
**C.**



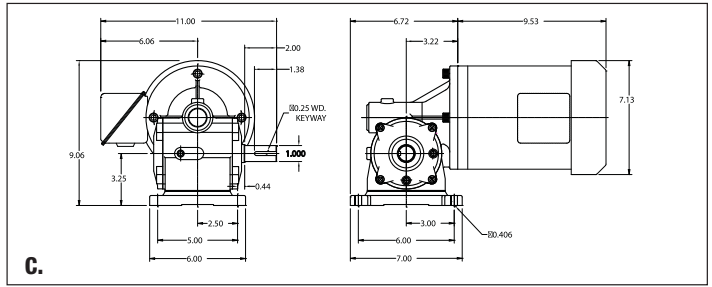
**D.**



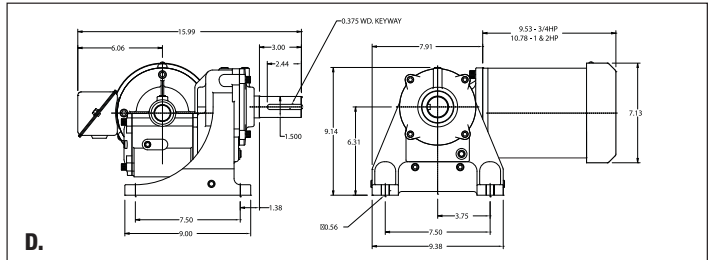
**A.**



**B.**



**C.**



**D.**



## 115/208-230VAC Capacitor-Start and 230/460VAC 3-Phase Right-Angle Gearmotors

- Enclosure: totally enclosed fan-cooled
- Gearcase: die-cast aluminum
- Lubrication: oil-filled
- Gears: hardened-steel worm, forged-bronze output gear
- Bearings: roller bearings on case; ball on motor
- Mounting: horizontal, vertical, or at 90° angles
- Rotation: reversible
- Thermal protection: none
- Ambient: 40°C

Nameplate RPM	Max. Torque	Overhung Load	Input HP	Gear Ratio	Full Load Amps	Item No.
<b>Capacitor-Start, 115/208-230V AC, 60 Hz</b>						
<b>Key A</b>						
30 RPM	381 in-lb	670 lb	1/8 hp	58:1	5.6/2.8	4CVT9
45 RPM	299 in-lb	670 lb	1/8 hp	39:1	5.6/2.8	4CVU1
56 RPM	456 in-lb	670 lb	1/2 hp	39:1	6.6/3.3	4CVU3
100 RPM	390 in-lb	670 lb	1/2 hp	31:1	6.6/3.3	4CVT7
155 RPM	163 in-lb	670 lb	1/2 hp	18:1	5.6/2.8	4CUK7
173 RPM	254 in-lb	670 lb	1/2 hp	18:1	6.6/3.3	4CVU5
84 RPM	173 in-lb	670 lb	1/2 hp	11:1	6.6/3.3	4CVU6
<b>Capacitor-Start, 115/208-230V AC, 60/50 Hz</b>						
<b>Key B</b>						
30 RPM	680 in-lb	980 lb	1/2 hp	58:1	8.4/4.2	4CVZ3
45 RPM	743 in-lb	980 lb	3/4 hp	39:1	11.2/5.6	4CVZ4
84 RPM	456 in-lb	882 lb	3/4 hp	21:1	11.2/5.6	4CVZ2

Nameplate RPM	Max. Torque	Overhung Load	Input HP	Gear Ratio	Full Load Amps	Item No.
<b>3-Phase, 208-230/460V AC, 60/50 Hz*</b>						
<b>Key C</b>						
30 RPM	680 in-lb	980 lb	1/2 hp	58:1	2.0-1.9/0.95	4CVU7
37 RPM	855 in-lb	980 lb	3/4 hp	47:1	2.7-3.0/1.5	4CVY1
507 RPM	507 in-lb	980 lb	1/2 hp	39:1	2.0-1.9/0.95	4CVU8
45 RPM	743 in-lb	980 lb	3/4 hp	39:1	2.7-3.0/1.5	4CVY6
	966 in-lb	980 lb	1 hp	39:1	3.4-3.4/1.7	4CVX5
56 RPM	633 in-lb	980 lb	3/4 hp	31:1	2.7-3.0/1.5	4CVY2
	835 in-lb	980 lb	1 hp	31:1	3.4-3.4/1.7	4CVY4
68 RPM	367 in-lb	932 lb	1/2 hp	26:1	2.0-1.9/0.95	4CVU9
	537 in-lb	932 lb	3/4 hp	26:1	2.7-3.0/1.5	4CVY7
	796 in-lb	882 lb	1 hp	26:1	3.4-3.4/1.7	4CVX2
84 RPM	605 in-lb	882 lb	1 hp	21:1	3.4-3.4/1.7	4CVY5
100 RPM	265 in-lb	831 lb	1/2 hp	18:1	2.0-1.9/0.95	4CVX1
	522 in-lb	831 lb	1 hp	18:1	3.4-3.4/1.7	4CVX3
	269 in-lb	723 lb	3/4 hp	11:1	2.7-3.0/1.5	4CVY9
155 RPM	357 in-lb	723 lb	1 hp	11:1	3.4-3.4/1.7	4CVX4
	711 in-lb	723 lb	2 hp	11:1	6.4-6.4/3.2	4CVX6
<b>Key D</b>						
30 RPM	876 in-lb	883 lb	3/4 hp	57:1	2.7-3.0/1.5	4FDY8
	1,168 in-lb	883 lb	1 hp	57:1	3.4-3.4/1.7	4FDY4
45 RPM	2,410 in-lb	894 lb	2 hp	37:1	6.4-6.3/3.2	4FDY5
68 RPM	1,143 in-lb	827 lb	2 hp	25:1	6.4-6.4/3.2	4FDY6

\* Operable on 190/380V, 50 Hz, with HP and rpm at 5/6 of the 60-Hz ratings.