

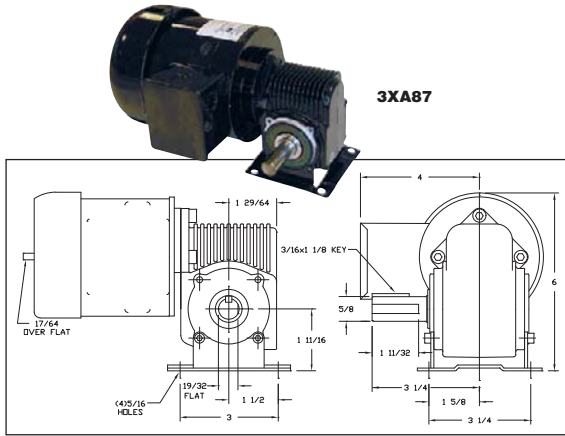
115VAC Permanent Split Capacitor Right-Angle Gearmotors



- Gearcase: zinc alloy
- Lubrication: TENV models grease-filled; TEFC models oil-filled
- Gears: TENV models hardened-steel worm, phenolic output gear; TEFC models hardened-steel worm, forged-bronze output gear
- Bearings: ball on case and motor
- Mounting: all-position except input motor shaft up
- 60/50 Hz
- Rotation: reversible
- Thermal protection: none
- Ambient: 40°C
- Brake: adaptable to 5X400 using 1 disc with 1/20-HP, 2 discs with 1/12- and 1/8-HP models (sold separately on Grainger.com)

Note: Ratings shown are at 60 Hz. Gearmotors are also operable at 50 Hz, with HP and rpm at 5/6 of the 60 Hz rating.

Key	Nameplate RPM	Max. Torque	Overhung Load	Input HP	Gear Ratio	Full Load Amps	Capacitor Req.	Item No.
TENV	43 RPM	21 in-lb	70 lb	1/20 hp	40:1	1	2MDV3	1XFY2
	86 RPM	22 in-lb	60 lb	1/20 hp	20:1	1	2MDV3	1XFY3
	173 RPM	13 in-lb	50 lb	1/20 hp	10:1	1	2MDV3	1XFY4
	43 RPM	55 in-lb	110 lb	1/2 hp	40:1	1.3	2MDV5	1XFY5
B	86 RPM	41 in-lb	90 lb	1/2 hp	20:1	1.3	2MDV5	1XFY6
	173 RPM	23 in-lb	70 lb	1/2 hp	10:1	1.3	2MDV5	1XFY7
TEFC	29 RPM	85 in-lb	130 lb	1/2 hp	60:1	2	2MDV9	1XFY8
	43 RPM	77 in-lb	110 lb	1/2 hp	40:1	2	2MDV9	1XFY9
	57 RPM	68 in-lb	100 lb	1/2 hp	30:1	2	2MDV9	1XFZ1
	86 RPM	55 in-lb	90 lb	1/2 hp	20:1	2	2MDV9	1XFZ2
	173 RPM	31 in-lb	70 lb	1/2 hp	10:1	2	2MDV9	1XFZ3



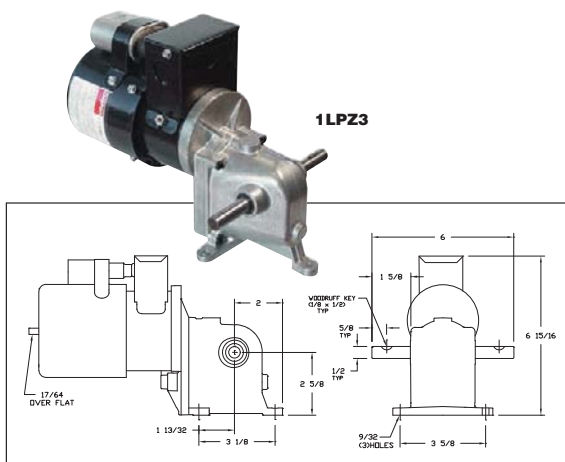
115/230VAC Permanent Split Capacitor Right-Angle Gearmotors



- Enclosure: totally enclosed fan-cooled
- Gearcase: die-cast aluminum
- Lubrication: oil-filled
- Gears: hardened steel worm, bronze output gear
- Bearings: needle bearing on case; ball on motor
- Mounting: all-position
- 60/50 Hz
- Reversible shaft output
- Rotation: reversible
- Thermal protection: none
- Dual output shafts
- Ambient: 40°C
- Capacitor: included
- Overall depth 9 3/4"
- Brake: adaptable to 5X400 (sold separately on Grainger.com)

Note: Ratings shown are at 60 Hz. Gearmotors are also operable at 50 Hz, with HP and rpm at 5/6 of 60 Hz ratings.

Nameplate RPM @ 60 Hz	Max. Torque @ 50 Hz	Overhung Load	Input HP	Gear Ratio	Full Load Amps	Item No.
55 RPM	48	130 in-lb	200 lb	1/4 hp	30:1	2.35/1.25
80 RPM	71	108 in-lb	200 lb	1/4 hp	20:1	2.35/1.25
160 RPM	138	62 in-lb	200 lb	1/4 hp	10:1	2.35/1.25
330 RPM	276	15 in-lb	200 lb	1/4 hp	5:1	2.35/1.25



115/230VAC Dual Shaft Permanent Split Capacitor Right-Angle Gearmotors



- Enclosure: totally enclosed fan-cooled
- Gearcase: die-cast zinc
- Lubrication: grease-filled
- Gears: heat-treated steel
- Bearings: sleeve on case; ball on motor
- Mounting: all-position
- 60/50 Hz
- Rotation: reversible
- Thermal protection: none
- Ambient: 40°C
- Brake: adaptable to 5X400 using 1 disc (sold separately on Grainger.com)
- Overall depth 11 1/2"
- Capacitor included

Note: Ratings shown are at 60 Hz. Gearmotors are also operable at 50 Hz, with HP and rpm at 5/6 of 60 Hz ratings.

Nameplate RPM	Max. Torque	Overhung Load	Input HP	Gear Ratio	Full Load Amps	Item No.
1.5 RPM	250 in-lb	100 lb	1/2 hp	1205:1	1.2/0.63	1LPZ3
3 RPM	200 in-lb	100 lb	1/2 hp	525:1	1.2/0.63	1LPZ2
5.6 RPM	200 in-lb	100 lb	1/2 hp	275:1	1.2/0.63	1LPY9
9.5 RPM	200 in-lb	100 lb	1/2 hp	161:1	1.2/0.63	1LPZ1
21 RPM	170 in-lb	100 lb	1/2 hp	70:1	1.2/0.63	1LPY8
40 RPM	89 in-lb	100 lb	1/2 hp	37:1	1.2/0.63	1LPY5