



# 115, 230, and 115/230VAC Permanent Split Capacitor Parallel-Shaft Gearmotors



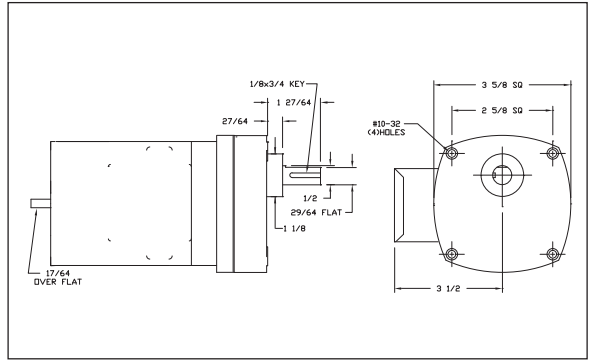
Note: Ratings shown are at 60 Hz. 60/50-Hz gearmotors are also operable at 50 Hz, with HP and rpm at 5/6 of the 60-Hz rating. 6Z081, 6Z082, 6Z083, 6A197, 6Z084, and 6A196 are operable at 60 Hz only.

**A.**

- Gearcase: die-cast aluminum
- Lubrication: permanent heavy gear oil
- Gears: 1st stage steel, subsequent stages steel or heat-treated powdered metal
- Bearings: Heavy-duty needle on case; ball on motor
- Mounting: all-position (optional mounting bracket 2A754)
- Rotation: reversible
- Thermal protection: none; impedance on 6Z073 to 6Z076
- Ambient: 40°C
- Brake: adaptable to 5X400 (sold separately on Grainger.com)



**A.**  
Shown with conduit box accessory

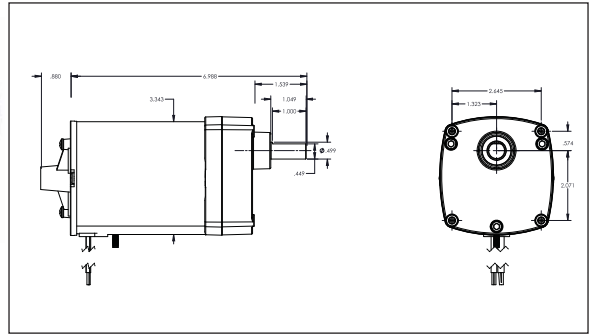


**B.**

- Enclosure: totally enclosed, nonventilated
- Gearcase: CNC machined, die-cast aluminum
- Lubrication: grease-filled
- Gears: first stage high-strength polymer and powdered metal
- Bearings: ball bearings for motor, needle for output shaft
- Mounting: all-position (optional mounting bracket 2A754)
- Rotation: reversible
- Thermal protection: none
- Ambient: 40°C
- Brake: adaptable to 5X400 (sold separately on Grainger.com)



**B.**

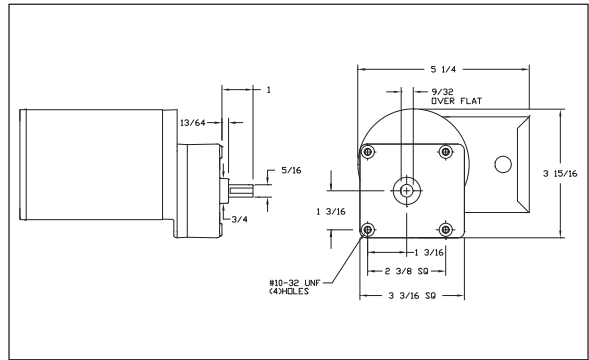


**C.**

- Enclosure: totally enclosed, nonventilated
- Gearcase: die-cast zinc
- Lubrication: grease-filled
- Gears: steel, 1st stage acetal
- Bearings: sleeve on case; ball on motor
- Mounting: all-position
- Rotation: reversible
- Thermal protection: none
- Ambient: 40°C



**C.**



Key	Nameplate RPM	Max. Torque	Overhung Load	Input HP	Gear Ratio	Full Load Amps	Length Less Shaft	Capacitor Req.	Item No.
<b>Open, 115V AC, 60/50 Hz</b>									
	1.2 RPM	100 in-lb	90 lb	1/80 hp	1369:1	0.3	7 1/4 in	2MDV3	<b>6Z073</b>
	2.3 RPM	100 in-lb	90 lb	1/80 hp	702:1	0.3	7 1/4 in	2MDV3	<b>6Z074</b>
	4.5 RPM	100 in-lb	90 lb	1/80 hp	361:1	0.3	7 1/4 in	2MDV3	<b>6Z075</b>
	8.8 RPM	76 in-lb	90 lb	1/80 hp	186:1	0.3	7 1/4 in	2MDV3	<b>6Z076</b>
A	16 RPM	100 in-lb	90 lb	1/20 hp	96:1	0.62	7 3/8 in	2MDV6	<b>6Z077</b>
	32 RPM	96 in-lb	90 lb	1/20 hp	49:1	0.62	7 3/8 in	2MDV6	<b>6Z078</b>
	63 RPM	49 in-lb	90 lb	1/20 hp	25:1	0.62	7 3/8 in	2MDV6	<b>6Z079</b>
	95 RPM	30 in-lb	90 lb	1/20 hp	17:1	0.62	7 3/8 in	2MDV6	<b>6A195</b>
	124 RPM	25 in-lb	90 lb	1/20 hp	13:1	0.62	7 3/8 in	2MDV6	<b>6Z080</b>
<b>Open, 230V AC, 60/50 Hz</b>									
	1.2 RPM	100 in-lb	90 lb	1/80 hp	1369:1	0.2	7 7/8 in	Included	<b>1L532</b>
	2.3 RPM	100 in-lb	90 lb	1/80 hp	702:1	0.2	7 7/8 in	Included	<b>1L525</b>
	4.5 RPM	100 in-lb	90 lb	1/80 hp	362:1	0.2	7 7/8 in	Included	<b>1L522</b>
	8.8 RPM	76 in-lb	90 lb	1/80 hp	186:1	0.2	7 7/8 in	Included	<b>1L519</b>
A	17 RPM	100 in-lb	90 lb	1/20 hp	96:1	0.3	8 1/4 in	Included	<b>1L526</b>
	32 RPM	86 in-lb	90 lb	1/20 hp	49:1	0.3	8 1/4 in	Included	<b>1L524</b>
	63 RPM	46 in-lb	90 lb	1/20 hp	25:1	0.3	8 1/4 in	Included	<b>1L521</b>
	95 RPM	30 in-lb	90 lb	1/20 hp	17:1	0.3	8 1/4 in	Included	<b>1L518</b>
<b>TENV, 115V AC, 60 Hz</b>									
	17 RPM	100 in-lb	90 lb	1/20 hp	96:1	0.6	7 3/8 in	2MDV6	<b>6Z081</b>
	33 RPM	96 in-lb	90 lb	1/20 hp	49:1	0.6	7 3/8 in	2MDV6	<b>6Z082</b>
A	63 RPM	49 in-lb	90 lb	1/20 hp	25:1	0.6	7 3/8 in	2MDV6	<b>6Z083</b>
	95 RPM	30 in-lb	90 lb	1/20 hp	17:1	0.6	7 3/8 in	2MDV6	<b>6A197</b>
	124 RPM	25 in-lb	90 lb	1/20 hp	13:1	0.6	7 3/8 in	2MDV6	<b>6Z084</b>
	154 RPM	20 in-lb	90 lb	1/20 hp	10:1	0.6	7 3/8 in	2MDV6	<b>6A196</b>

Key	Nameplate RPM	Max. Torque	Overhung Load	Input HP	Gear Ratio	Full Load Amps	Length Less Shaft	Capacitor Req.	Item No.	
<b>TENV, 230V AC, 60/50 Hz</b>										
	17 RPM	100 in-lb	90 lb	1/80 hp	96:1	0.3	8 in	Included	<b>1L527</b>	
	32 RPM	86 in-lb	90 lb	1/80 hp	49:1	0.3	8 in	Included	<b>1L523</b>	
A	63 RPM	46 in-lb	90 lb	1/80 hp	25:1	0.3	8 in	Included	<b>1L520</b>	
	95 RPM	30 in-lb	90 lb	1/80 hp	17:1	0.3	8 in	Included	<b>1L517</b>	
	124 RPM	25 in-lb	90 lb	1/80 hp	13:1	0.3	8 in	Included	<b>1L530</b>	
	154 RPM	18 in-lb	90 lb	1/80 hp	10:1	0.3	8 in	Included	<b>1L528</b>	
<b>TENV, 115V AC, 60/50 Hz</b>										
	16 RPM	67 in-lb	50 lb	1/25 hp	106:1	0.52	6 1/2 in	2MDV4	<b>453R93</b>	
	29 RPM	50 in-lb	50 lb	1/25 hp	58.5:1	0.51	6 1/2 in	2MDV4	<b>453R94</b>	
B	60 RPM	30 in-lb	50 lb	1/25 hp	28.3:1	0.52	6 1/2 in	2MDV4	<b>453R95</b>	
	105 RPM	20 in-lb	50 lb	1/25 hp	15.9:1	0.53	6 1/2 in	2MDV4	<b>453R96</b>	
	139 RPM	14 in-lb	50 lb	1/25 hp	12.1:1	0.52	6 1/2 in	2MDV4	<b>453R97</b>	
	164 RPM	12 in-lb	50 lb	1/25 hp	10.2:1	0.52	6 1/2 in	2MDV4	<b>453R98</b>	
<b>TENV, 115/230V AC, 60/50 Hz</b>										
	4 RPM	50 in-lb	50 lb	1/20 hp	491:1	0.62/0.33	6 1/2 in	Included	<b>1LPU6</b>	
	7 RPM	50 in-lb	50 lb	1/20 hp	239:1	0.62/0.33	6 1/2 in	Included	<b>1LPU7</b>	
	36 RPM	50 in-lb	50 lb	1/20 hp	47:1	0.62/0.33	5 3/4 in	Included	<b>1LPU8</b>	
C	68 RPM	30 in-lb	50 lb	1/20 hp	26:1	0.62/0.33	5 3/4 in	Included	<b>1LPU9</b>	
	96 RPM	20 in-lb	50 lb	1/20 hp	18:1	0.62/0.33	5 3/4 in	Included	<b>1LPV1</b>	
	181 RPM	12 in-lb	50 lb	1/20 hp	10:1	0.62/0.33	5 3/4 in	Included	<b>1LPV2</b>	
<b>Accessories</b>										
Description									For Use With	Item No.
L-Shaped Mounting Bracket									A and B Gearmotors	<b>2A754</b>
Conduit Box									A and B Gearmotors	<b>4JV45</b>