

1-800-GRAINGER (472-4643)

Flush Valve Retrofit Converters & Flush Valve Repair Parts



Automatic Flush Valve Retrofit Kits

ADA compliant, except for 448N68 and 448N69. All include 4 C batteries and installation tools.

Side-Mount—Install without water shutoff. Adjustable sensor range. 24-hr. courtesy flush option. Valve body, supply stop, or vacuum breaker not included, except 20CM32 comes with a valve body. 448N68 is for Sloan and Zurn flush valves. 448N69 is for American Standard and GEM flush valves.

2TET9, 2TEU1, and 1GAB3 allow you to slide the unit over the flush valve handle and tighten for fast installation. 1GAB3 has a true mechanical override.

Top-Mount—40D676 is all-metal construction with easy battery access. 25CH56 has a chrome-plated plastic E-Z Flush sensor unit with 3-yr. battery life.

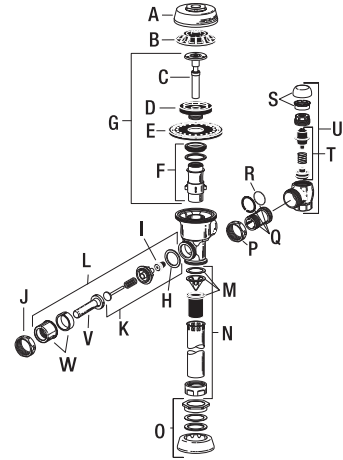
Brand and Series	Gal. per Flush	Fixture Type	Mounting Type	Sensor Range	Item No.
Automatic Flush Valve					
American Standard Electronic	1.28 gpf	Toilet	—	15 3/4 in to 31 1/2 in	16T987
Automatic Flush Valve Retrofit Kit					
Moen Commercial	1.6 gpf	Toilet	Top Mount	1 in to 18 in	40D676
Zurn	1.0, 1.6, 3.5	Toilet/Urinal	Side Mount	12 in to 44 in	2VEJ4
Rubbermaid Commercial	0	Toilet/Urinal	Over the Handle Mount	12 in to 48 in	2TET9
	0	Toilet/Urinal	Over the Handle Mount	12 in to 48 in	2TEU1
Sloan	0	Toilet/Urinal	Side Mount	15 in to 42 in	20CM32
	0	Toilet/Urinal	Over the Handle Mount	26 in to 32 in	1GAB3
Zurn	1.0, 1.6, 3.5	Toilet/Urinal	Top Mount	6 in to 40 in	25CH56
American Standard	0	Toilet/Urinal	Side Mount	8 in to 48 in	448N68
American Standard GEM	0	Toilet/Urinal	Side Mount	8 in to 48 in	448N69
Rubbermaid Commercial	0	Toilet/Urinal	Side Mount	8 in to 48 in	2TEU2
Sloan	0	Toilet/Urinal	Side Mount	8 in to 54 in	1GAB2



Manual Flush Valve Repair Parts and Kits

For additional parts, call 1-800-GRAINGER (472-4643). For an even larger assortment of repair parts and kits, go to Grainger.com.

Key	Description	Mfr. Model	Item No.
A	Flush Valve Cover, Royal	A72	2XU43
	Outside Cover, Regal	R10	3ERD6
B	Inside Cover	A71	2XU12
C	Relief Valve, White, Toilet	A19AC	2XU10
	Relief Valve, Black, Urinal	A19AU	2XU11
	Relief Valve, Green, Toilet/Urinal	A19ALC	2VEG9
D	Molded Disc	A15A	2XJ98
E	Disc, Black Rubber	A156A	2XJ96
F	Guide Assembly, 1.6 GPF, Toilet	A151A	2VEG5
	Guide Assembly, 3.5 GPF, Toilet	A152A	2VEG6
	Guide Assembly, 4.5 GPF, Toilet	A163A	2XJ99
	Guide Assembly, 1.0 GPF, Urinal	A155A	3EPU5
	Diaphragm Assembly, 1.28 gpf, High Efficiency Toilet	A1045A	4FEU7
	Diaphragm Assembly, 1.6 GPF, Toilet, Royal	A1041A	4FB32
	Diaphragm Kit, 1.6 GPF, Toilet, Regal	A41A	4LW51
	Diaphragm Kit, 2.4 gpf, Toilet, Royal	A1044A	3EPU2
	Diaphragm Assembly, 2.4 gpf, Toilet, Regal	A44A	3EPU7
	Diaphragm Kit, 3.5 GPF, Toilet, Royal	A1038A	4FB31
	Diaphragm Kit, 3.5 GPF, Toilet, Regal	A38A	5P213
	Diaphragm Kit, 4.5 GPF, Toilet, Regal	A36A	5P211
G	Diaphragm Assembly, 0.25 gpf Toilet, Regal	A1047A	5XTF6
	Diaphragm Kit, 0.5 GPF, Urinal, Royal	A1043A	2VED7
	Diaphragm Kit, 0.5 GPF, Urinal, Regal	A43A	2VED6
	Diaphragm Kit, 1.0 GPF, Urinal, Royal	A1042A	4FB33
	Diaphragm Kit, 1.0 GPF, Urinal, Regal	A42A	4W52
	Diaphragm Kit, 1.5 GPF, Urinal, Royal	A1037A	4FB30
	Diaphragm Kit, 1.5 GPF, Urinal, Regal	A37A	5P212
Handles			
H	Gasket, Pkg. of 48	A31	2VEG7
I	Handle Packet, Pkg. of 12	B39	2VEH2
J	Handle Coupling	A6	2XU42
K	Handle Repair Kit	B51A	2XU13
	Handle Repair Kit	B50A	5E545
	Handle Kit, ADA	B73A	5E544
L	Handle Kit, ADA, Antimicrobial	B73A-SG	2VD29
V	Handle Grip Sub Assembly, ADA	B74A	3EPU8
W	Socket Assembly	B7A	5XTH2
Vacuum Breakers			
M	Vacuum Breaker Repair Kit, Regal	V551A	5E546
	Vacuum Breaker Repair Kit, Royal	V651A	2XU35
	High Back Pressure Vacuum Breaker Assembly, 3/4 in x 9 in	V600AA 3/4 X 9	6NB11
	High Back Pressure Vacuum Breaker Assembly, 1 1/2 in x 9 in	V600AA 1 1/2 X 9	6NB12
	High Back Pressure Vacuum Breaker Assembly, 1 1/4 in x 9 in	V600AA 1 1/4 X 9	2VEG2
	Vacuum Breaker Assembly, 1 1/2 in x 13 1/2 in	V600AA 1 1/2 X 13 1/2	3ERF2
	Vacuum Breaker Assembly, 1 1/2 in x 21 1/2 in	V600AA 1 1/2 X 21 1/2	3ERF3
	Vacuum Breaker Assembly and Pipe, 1 1/2 in x 15 in	V500AA 1 1/2 x 15	2VEA6
	Vacuum Breaker Assembly and Pipe, 1 1/2 in x 24 1/2 in	V600AA 1 1/2 x 24 1/2	2VEG6
	Vacuum Breaker Assembly, 3/4 in x 9 in	V500AA 3/4 X 9	3ERE3
N	Vacuum Breaker Assembly, 1 1/4 in x 9 in	V500AA 1 1/4 X 9	3ERF1
	Vacuum Breaker Assembly, 1 1/2 in x 9 in	V500AA 1 1/2 X 9	3ERE2
	Vacuum Breaker Assembly, 1 1/2 in x 10 1/2 in	V500AA 1 1/2 X 10 1/2	3ERE4
	Vacuum Breaker Assembly, 1 1/2 in x 10 1/2 in	V500AA 1 1/2 X 10 1/2	3ERE5
	Vacuum Breaker Assembly, 1 1/2 in x 13 1/2 in	V500AA 1 1/2 X 13 1/2	3ERE6
	Vacuum Breaker Assembly, 1 1/2 in x 21 1/2 in	V500AA 1 1/2 X 21 1/2	3ERE7
	Vacuum Breaker Assembly, 1 1/2 in x 24 1/2 in	V500AA 1 1/2 X 24 1/2	3ERE8
	Vacuum Breaker Assembly, 1 1/2 in x 32 in	V500AA 1 1/2 X 32	3ERE9
	Spud Coupling Assembly, 3/4 in	F5AW	2XU30
	Spud Coupling Assembly, 1 1/2 in	F5AU	2XU29
	Spud Coupling Assembly, 1 1/2 in	F5AT	2XU28
O	Friction Ring, 1 1/2 in Royal and Regal, Pkg. of 48	F3	4AYE1
Tailpiece/Stop Repair			
P	Tail Piece Assembly	H550	2VEH6
	Tail Piece Assembly, 2 1/2 in, Adjustable	H551A	2XU33
Q	Tail Piece Assembly, 3 1/2 in	H551A 3/16	3ERC1
	Tail Piece Assembly, 4 1/2 in	H551A 4/16	3ERC2
R	O-Ring, Pkg. of 24	H553A	2XU34
S	Vandal Resistant Stop Cap, 3/4 in	H1009A	4LW58
	Vandal Resistant Stop Cap, 1 in	H1010A	4LW59
T	Control Stop Repair Kit, 3/4 in	H543ASD	2XU32
	Control Stop Repair Kit, 1 in	H541ASD	2XU31



Complete Control Stops		
Vandal-Resistant, 3/4 in, Adjustable	H700A	2VED9
Vandal-Resistant, 1 in, Adjustable	H700A	2VED8
Adjustable Screwdriver Control Stop for Regal Closet Flushometers, 1 in	H-710-A	2VEC2
Control Stop for Regal Closet Flushometers, 3/4 in	H710A	2VEC3
Adjustable Screwdriver Control Stop for Regal Closet Flushometers, 1 in	H790A	2VEC4
Control Stop for Regal Urinal Flushometers, 3/4 in	H790A	2VEC5

Miscellaneous Parts		
Hydraulic Actuator Cartridge Assembly	HY32A	2VEA5
Hydraulic Actuator Assembly	HY83A	2VEE8
Super Wrench	A50	2VD28
Wheel Handle Stop Repair Kit	H541AWH	2VEE1
Disc	A56AA	2VEG8
Washer Set Repair Kit	A156AA	2XJ97
Repair Kit, 1 in Connection, w/Stop	H1006A	5XTH3
Slip Joint Coupling, 1 1/2 in	F2AT	2VEA2
Slip Joint Coupling, 1 1/2 in, Pkg. of 2	F2AA	2VEA4
Spud Coupling Assembly, 1 1/2 x 3 in	F56A	2VEA3
Spud Coupling Assembly, 3/4 in	F54A	3ERA6
Handle Assembly	B32A	2VEH1
Spud Coupling Assembly, 1 1/2 in	A1010A	3EPU1
Toilet Valve Bodies	A3A	3EPU6
Push Button Assembly	C70A	3EPU9
Stop Cap	H573A	3ERC6
Stop Cap	H582	3ERC7
Friction Ring, 1 1/2 in x 1 1/4 in, Pkg. of 24	G44	4AYE5
Gasket, 1 1/2 in, Pkg. of 48	VB511/2	4AYE9
Inside Cover, Old Style (pre 1971)	A11	3EPU3
Piston Assembly	CN1002A	3EPV1
Piston Assembly	CN1003A	3EPV2
Stop Cover Bonnet	H622	3ERC9
Wheel Handle Control Stop, 1 in	H730A	3ERD1
Manual Flush Valve Locking Devices, Pkg. of 12	H552	4AYE7
Gasket, 1 1/4 in, Pkg. of 48	VB511/4	4AYF1

Type	GPF	Mfr. Model	Item No.	Dual Filtered Diaphragm Kit†	Standard Diaphragm Kit†
Master Repair Kits for Sloan Royal & Regal Flushometers (Incl. Individual Pieces of G, K, M, & R)					
Urinal	0.5	A1106A	2XU37	R1011A	6UYN0
	1.0	A1107A	2XJ95	R1005A	2VEE7
	1.5	A1108A	2XU38	R1002A	2VEE4
	1.6	A1101A	2XJ94	R1004A	2VEE6
	2	—	—	R1012A	6UYN1
Toilet	2.4	A1103A	3EPU4	—	—
	3.5	A1102A	2XU36	R1003A	2VEE5
	—	—	—	R1001A	2VEE3
	4.5	—	—	—	—

* Includes D, E, H, I individual pieces, not full package quantity as noted in table. †Kits include diaphragm, handle repair kit, and vacuum breaker.