



## Electromagnetic Locking Devices

### LOCKS

Use to monitor a controlled area such as a hospital laboratory or a secure area in an airport. Also used to provide traffic control for doors in a commercial or education building. Utilize magnetic forces to maintain powerful bond between frame-mounted magnet and door-mounted armature. Available for surface-mount and concealed-mount applications in a variety of holding forces.

### TOUCH BARS

Request-to-exit devices used to release electromagnetic locks. Designed for easy installation, smooth operation, and maximum durability.

### LOCK ACTIVATION EXIT DEVICES

Magnetic spring design allows configuration of clockwise and counterclockwise key turn direction as well as momentary or maintained action.

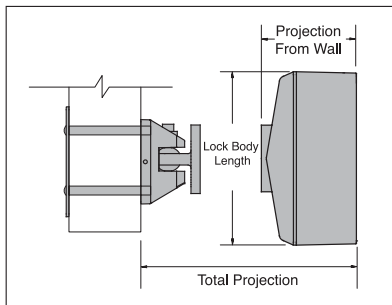


Electromagnetic Lock



Touch Bar

Description	Mfr. Model	Item No.
<b>Electromagnetic Locks, Automatic Voltage Selection, Aluminum Canisters</b>		
Electromagnetic Lock, 500 lb. Holding Force	M420	6LCZ1
Electromagnetic Lock, 1,000 lb. Holding Force	M450	6LCY2
Electromagnetic Lock, 1,500 lb. Holding Force	M490	6LCY5
<b>Electromagnetic Locks, Automatic Voltage Selection, Magnetic Bond Sensor, Door Position Switch, Relock Time Delay, Aluminum Canisters</b>		
Electromagnetic Lock, 500 lb. Holding Force	M420P	6LCZ2
Electromagnetic Lock, 1,000 lb. Holding Force	M450P	6LCY3
<b>Top Jamb Brackets, Inswing Doors</b>		
For Use With Electromagnetic Lock 6LCZ1, Electromagnetic Lock 6LCZ2	TJ420 628	6LCZ3
For Use With Electromagnetic Lock 6LCY2, Electromagnetic Lock 6LCY3	TJ450 628	6LCY4
For Use With Electromagnetic Lock 6LCY5, Electromagnetic Lock 6LCY6	TJ490 628	6LCY7
<b>Electromagnetic Lock Activation Touchbars</b>		
Heavy-Duty Touchbar, Push-to-Exit, Aluminum, For Doors 36" or Less, 20 AWG Leads	672 36 628 RD AR	4GD88
<b>Electromagnetic Lock Activation Exit Devices</b>		
Keyswitch Exit Device, Aluminum, 3A Rating @ 28 VDC, Fits 1 Gang Box	653-04	4GD91
Keyswitch Exit Device, Aluminum, 2A Rating @ 28 VDC, Fits 1 Gang Box	653-05	4GD92
Access Control Keypad, Black	IQ1LITE/19	22PE95
Access Control Keypad w/ Rim Panic, Black	M9900LITE/32D	22PE96
<b>Replacement Battery Pack</b>		
For Lock Power Supply	900-BB	6LCZ5



## Electromagnetic Door Releases

Hold doors open until released by a fire alarm system, remote smoke detector, or other switching device. Fail-safe operation—power failure releases door to a closed position. Door closer is required to close door. Surface-mount models require a surface adapter housing (junction box), which is included. Recessed-mount models are for concealed wiring applications and mount on 2" x 4" outlet boxes.

Description	Power Req.	Holding Force	Projection from Wall	Total Projection	Lock Body Length	Mfr. Model	Item No.
<b>Rixson</b>							
Wall Mount, Surface	0.08 A @ 12V DC, 0.08A @ 24V AC/DC	30 lb	2 3/8 in	4 in	4 3/8 in	996	6T310
Wall Mount, Recessed	0.08 A @ 12V DC, 0.08A @ 24V AC/DC	30 lb	7/8 in	3 3/8 in	4 3/8 in	998	6T308
Wall Mount, Recessed, Adjustable	0.2A @ 120V AC, 0.2A @ 24V AC/DC	50 to 55 lb	3 3/4 in	4 3/8 in	—	994-A3	4AZR3
Wall Mount, Surface or Recessed, High Hold	0.25A @ 24V AC/DC	300 lb	2 1/4 in	5 1/4 in	—	993-AC	4AZR4
Sliding Door	0.08A @ 24 V DC	75 lb	3 1/4 in	3 1/4 in	—	972-ABXXS	4AZR5
Overhead Door	0.08 A @ 12V DC, 0.08A @ 24V AC, 0.08A @ 24V AC/DC	75 lb	3 1/4 in	3 1/4 in	—	972-AAXXU	4AZR6
Floor Mount, Single Door	120V AC, 12V DC, 24V AC/DC	30 to 40 lb	—	6 3/8 in	—	980-A3	4AZR7
Floor Mount, Back to Back Door	0.08 A @ 12V DC, 0.08A @ 24V AC, 0.08A @ 24V AC/DC	30 to 40 lb	—	8 1/4 in	—	981-A3	4AZR8
Extension Kit	—	—	—	Adds 1 1/2 in to 3 3/4 in	—	900-G	1RM43
<b>Edwards Signaling</b>							
Wall Mount, Surface	0.15A @ 120V AC, 0.15A @ 24V AC/DC	25 to 50 lb	2 7/8 in	4 1/8 in	4 3/8 in	1508-AQN5	2KFP1
Wall Mount, Recessed	0.15A @ 120V AC, 0.15A @ 24V AC/DC	25 to 50 lb	1 3/8 in	3 3/8 in	4 3/8 in	1504-AQN5	2KFN9
Floor Mount, Single Door	0.15A @ 120V AC, 0.15A @ 24V AC/DC	25 to 50 lb	4 13/8 in	6 1/8 in	3 1/4 in	1501-AQN5	2KFN7
Floor Mount, Double Door	0.15A @ 120V AC, 0.15A @ 24V AC/DC	25 to 50 lb	4 7/8 in	6 1/2 in	3 1/4 in	1502-AQN5	2KFN8
Wall Mount	0.15A @ 120V AC, 0.15A @ 24V AC/DC	25 to 50 lb	1 3/8 in	2 1/8 in	4 3/8 in	1505-AQN5	34F727
Flush Mount	0.15A @ 120V AC, 0.15A @ 24V AC/DC	25 to 50 lb	7/32 in	1 7/32 in	4 3/8 in	1509-AQN5	34F728
Short Arm	—	—	—	1 5/8 in	—	CS2595-5	34F729
Long Arm	—	—	—	2 3/8 in	—	CS2598-5	34F730
<b>LCN</b>							
Surface Mount	120V AC, 12V DC, 24V AC/DC	35 lb	2 1/2 in	4 3/8 in	4 3/8 in	SEM7830 AL	40GN68
Recessed Mount	0.02A @ 24V AC/DC, 0.03A @ 12V DC, 120V AC	35 lb	1 in	2 3/8 in	4 3/8 in	SEM7840 AL	40GN69

