

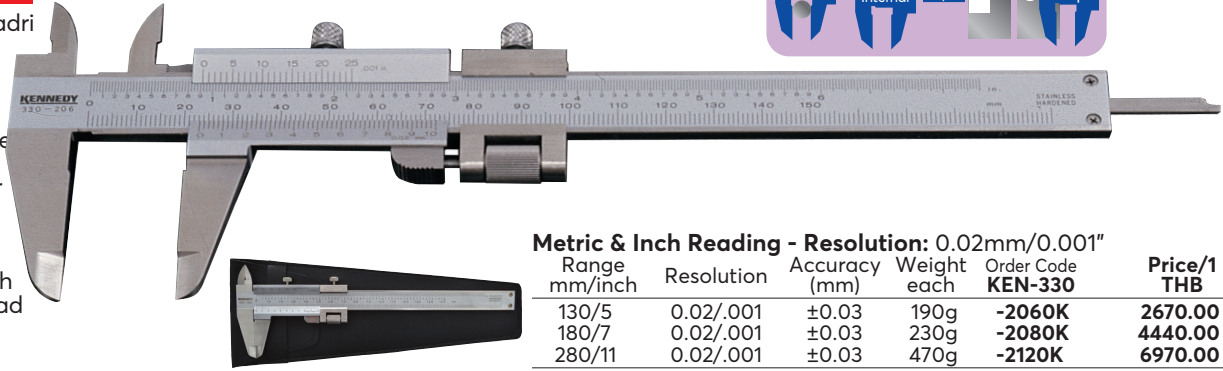
Vernier Calipers


Precision & Equipment



Fine Adjustment Vernier Calipers

Incorporating Quadri feature - gives outside, inside, depth and step readings. Fine adjustment feature allows improved sensitivity of slider movement. 14° vernier face angle reduces parallax. Satin chrome finish with clear easy read graduations.



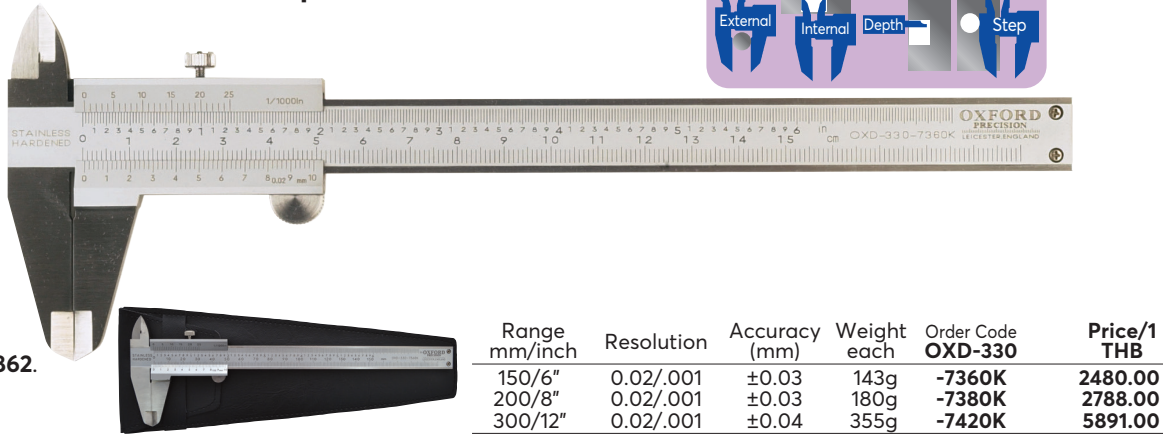



Metric & Inch Reading - Resolution: 0.02mm/0.001"					
Range mm/inch	Resolution	Accuracy (mm)	Weight each	Order Code KEN-330	Price/1 THB
130/5	0.02/.001	±0.03	190g	-2060K	2670.00
180/7	0.02/.001	±0.03	230g	-2080K	4440.00
280/11	0.02/.001	±0.03	470g	-2120K	6970.00



Standard Vernier Calipers

Give four types of reading - inside, outside, depth and step. Dual reading scale (metric and inch) with 14° bevelled vernier scale for reduced parallax reading error and knurled locking nut. Manufactured from hardened stainless steel for rigidity. Satin finish. Conform to DIN 862.

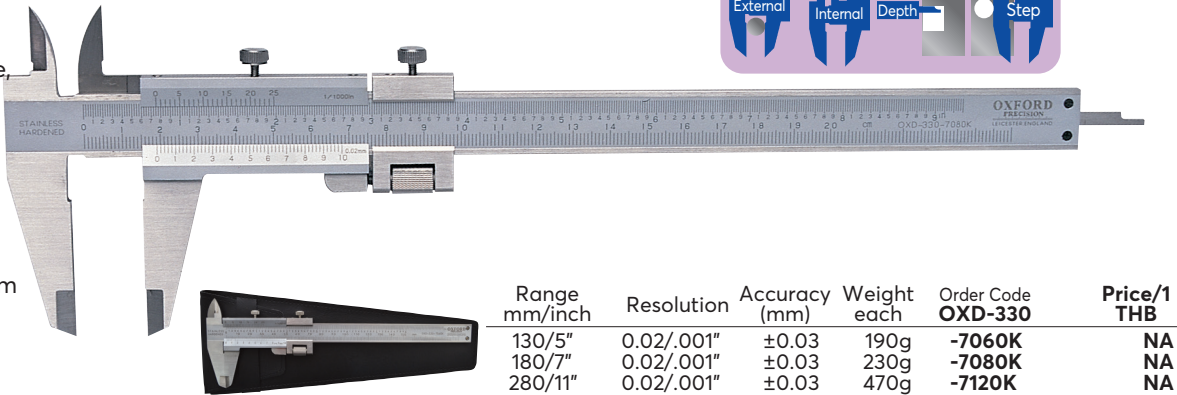





Range mm/inch	Resolution	Accuracy (mm)	Weight each	Order Code OXD-330	Price/1 THB
150/6"	0.02/.001	±0.03	143g	-7360K	2480.00
200/8"	0.02/.001	±0.03	180g	-7380K	2788.00
300/12"	0.02/.001	±0.04	355g	-7420K	5891.00

Fine Adjustment Vernier Calipers

Give four types of reading, inside, outside, depth and step. Dual reading scale (metric and inch) with 14° bevelled vernier scale for reduced parallax reading error, fine adjustment assembly and knurled locking nut. Manufactured from hardened stainless steel for rigidity with satin finish. Conforms to DIN 862.

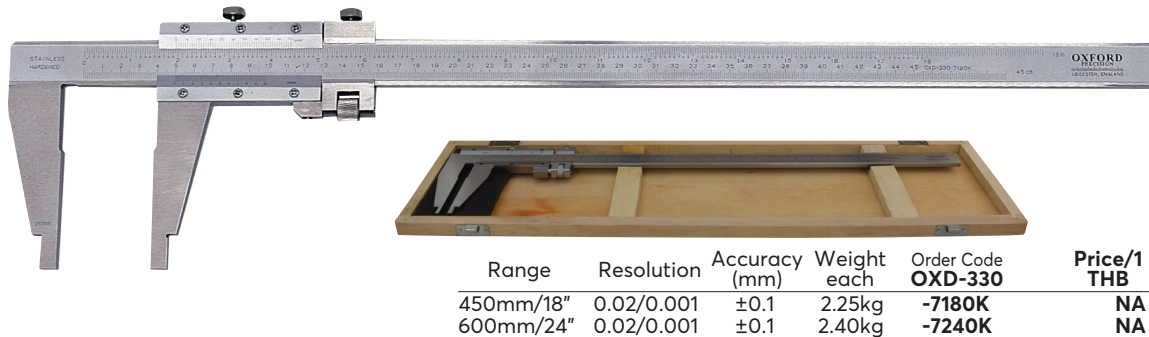




Range mm/inch	Resolution	Accuracy (mm)	Weight each	Order Code OXD-330	Price/1 THB
130/5"	0.02/.001"	±0.03	190g	-7060K	NA
180/7"	0.02/.001"	±0.03	230g	-7080K	NA
280/11"	0.02/.001"	±0.03	470g	-7120K	NA

Heavy Duty Vernier Calipers

Give inside and outside readings. Dual reading scale (metric and inch) with 14° bevelled vernier scale for reduced parallax reading error, fine adjustment assembly and knurled locking nut. Internal reading edges have rounded faces for accurate bore measurement. Manufactured from hardened stainless steel.



Range	Resolution	Accuracy (mm)	Weight each	Order Code OXD-330	Price/1 THB
450mm/18"	0.02/0.001	±0.1	2.25kg	-7180K	NA
600mm/24"	0.02/0.001	±0.1	2.40kg	-7240K	NA

Depth Gauge Attachment

Stainless steel depth gauge attachment for use with 150 and 200mm (6" and 8") depth gauges. 16mm vernier recess width with knurled locking nut.

Size	Models suited (mm)	Weight each	Order Code OXD-330	Price/1 THB
75mm	150/200	45g	-9600K	1313.00

